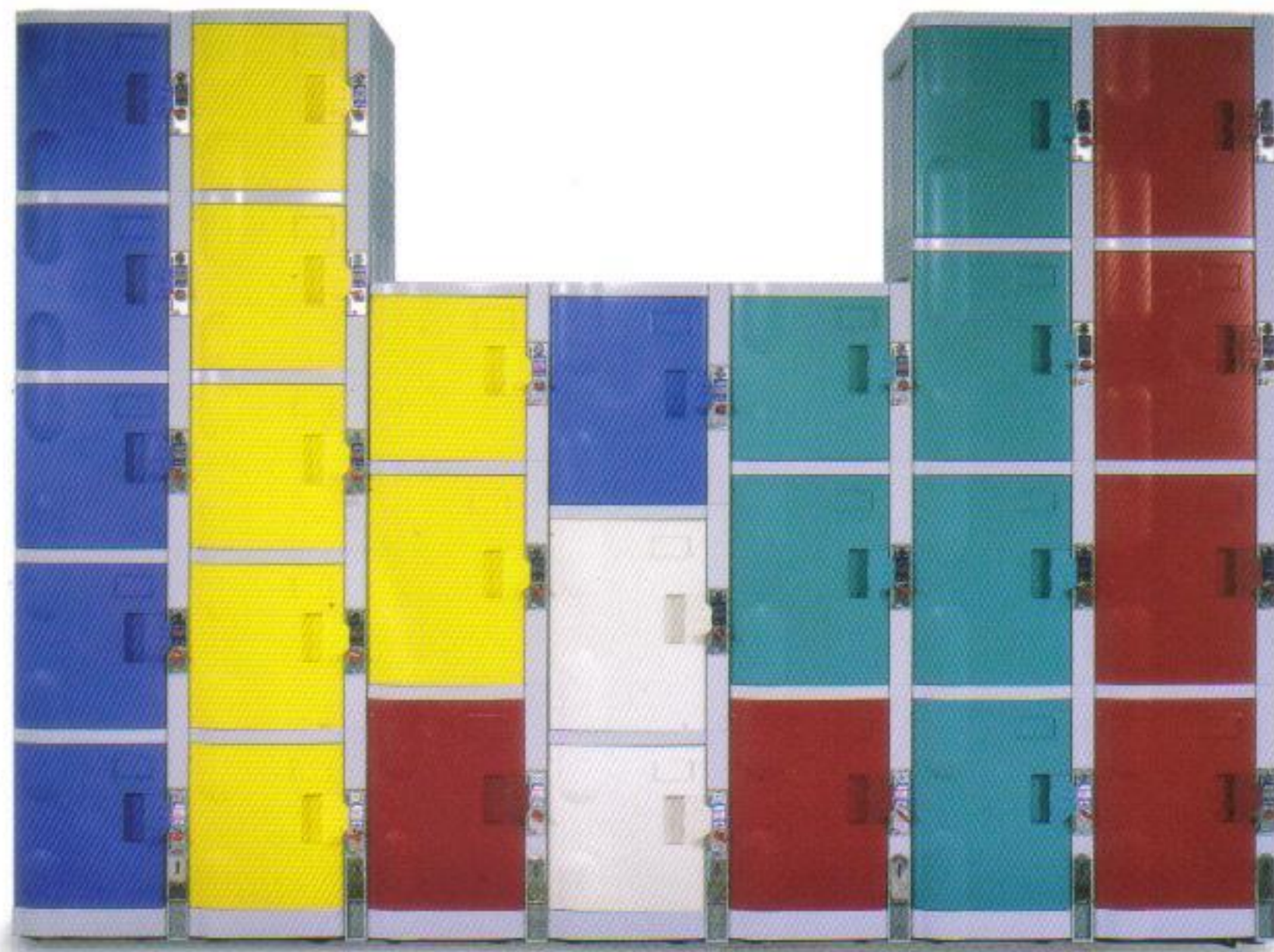


# ABS COIN LOCKER



## FEATURES

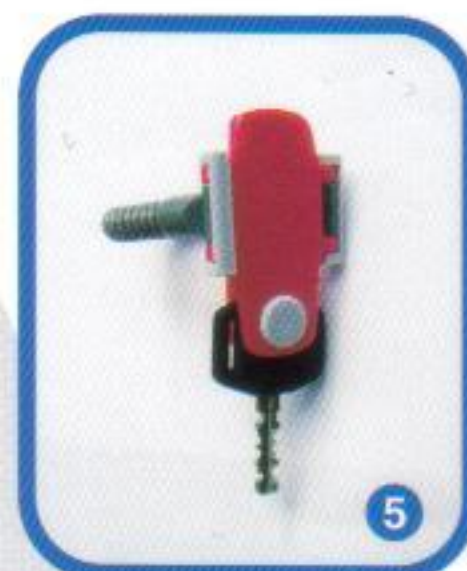
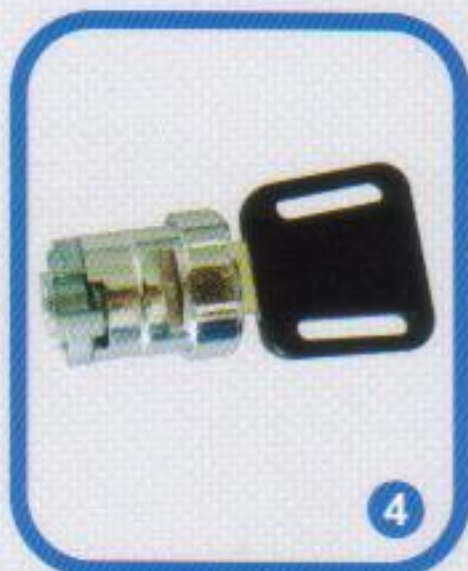
- Dual-function lock – Flexibility to accept 1-3 coins/tokens or, as a coin return lock
- Stainless steel coin lock
  - Suitable for any environment
- Master key control system
  - Emergency access
  - Maintenance purposes
- Different sizes and colors of locker unit can be mixed and matched
- DIY knock down
- Moisture corrosion and insect resistant
- Five colours selection for doors

Suitable for theme parks, hypermarkets, shopping malls, swimming pools, schools, other public access areas and etc.

## ABS COIN LOCKER ACCESSORIES

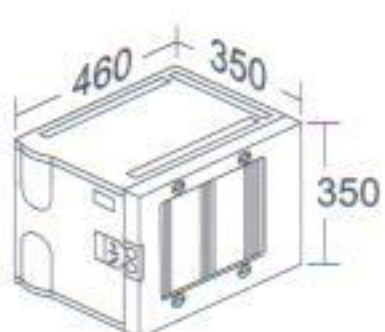


1. Coin Channel
2. Coin Box
3. Coin Lock
4. DR-N Cylinder
5. Key Strap (optional)



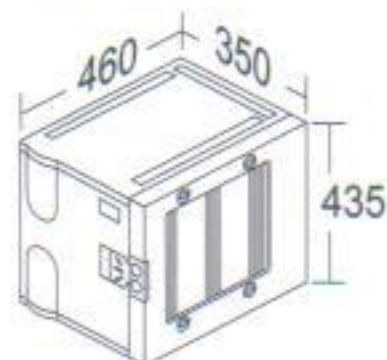
### SIZE S

**External Dimension**  
H350 x W350 x D460  
**Internal Dimension**  
H325 x W270 x D415

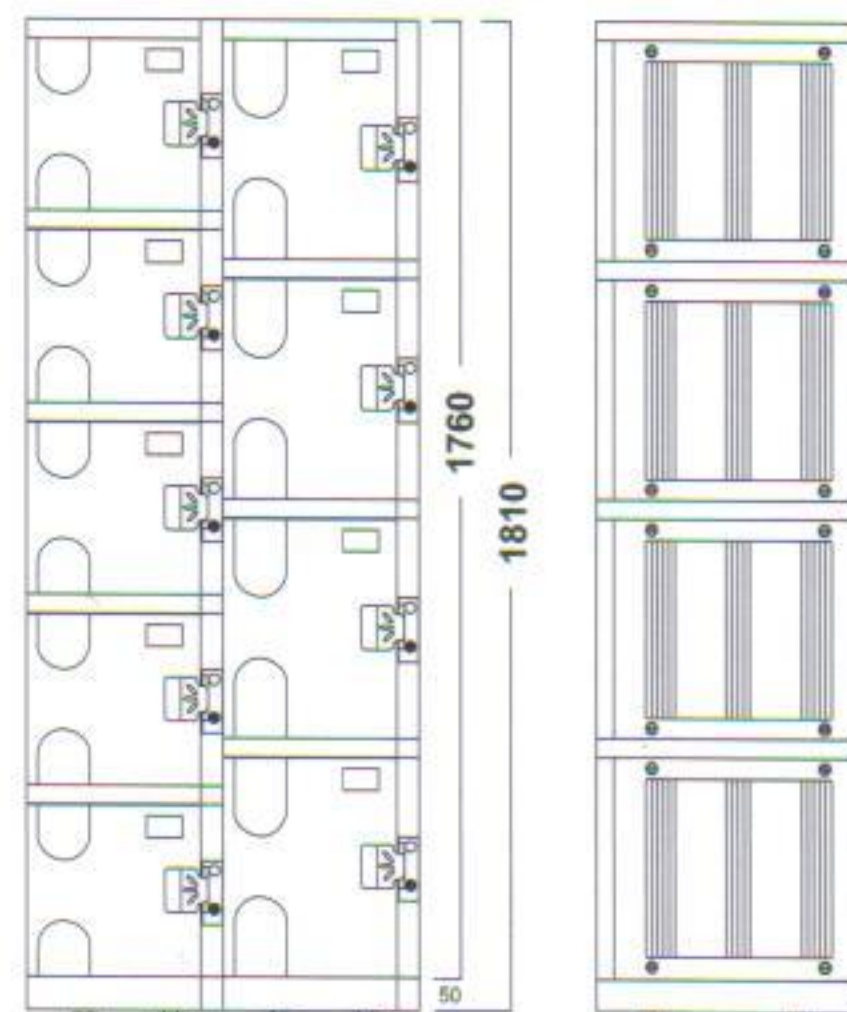


### SIZE M

**External Dimension**  
H435 x W350 x D460  
**Internal Dimension**  
H410 x W270 x D415



## SPECIFICATION



UNIT : MM