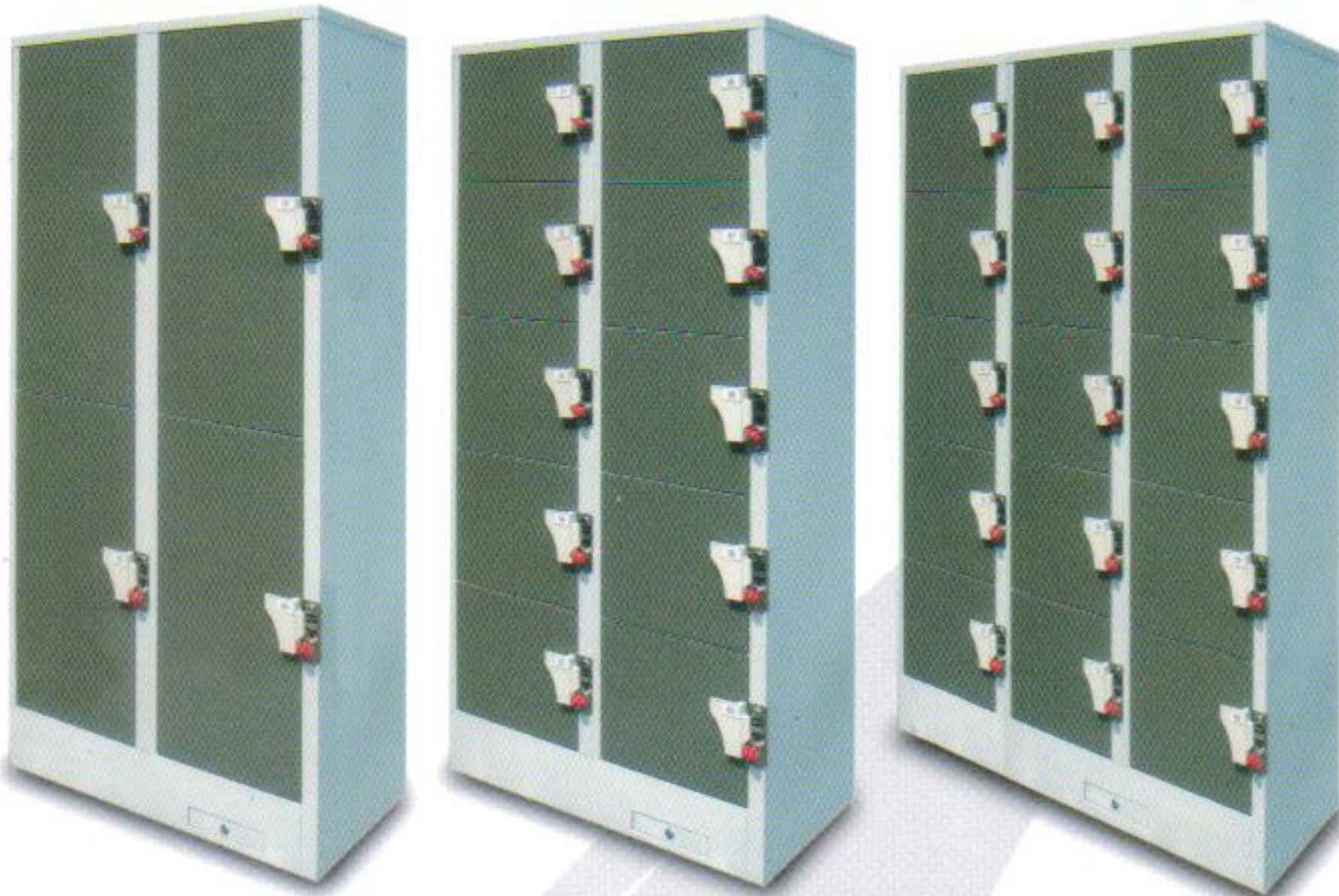


METAL COIN LOCKER



DR-FL4

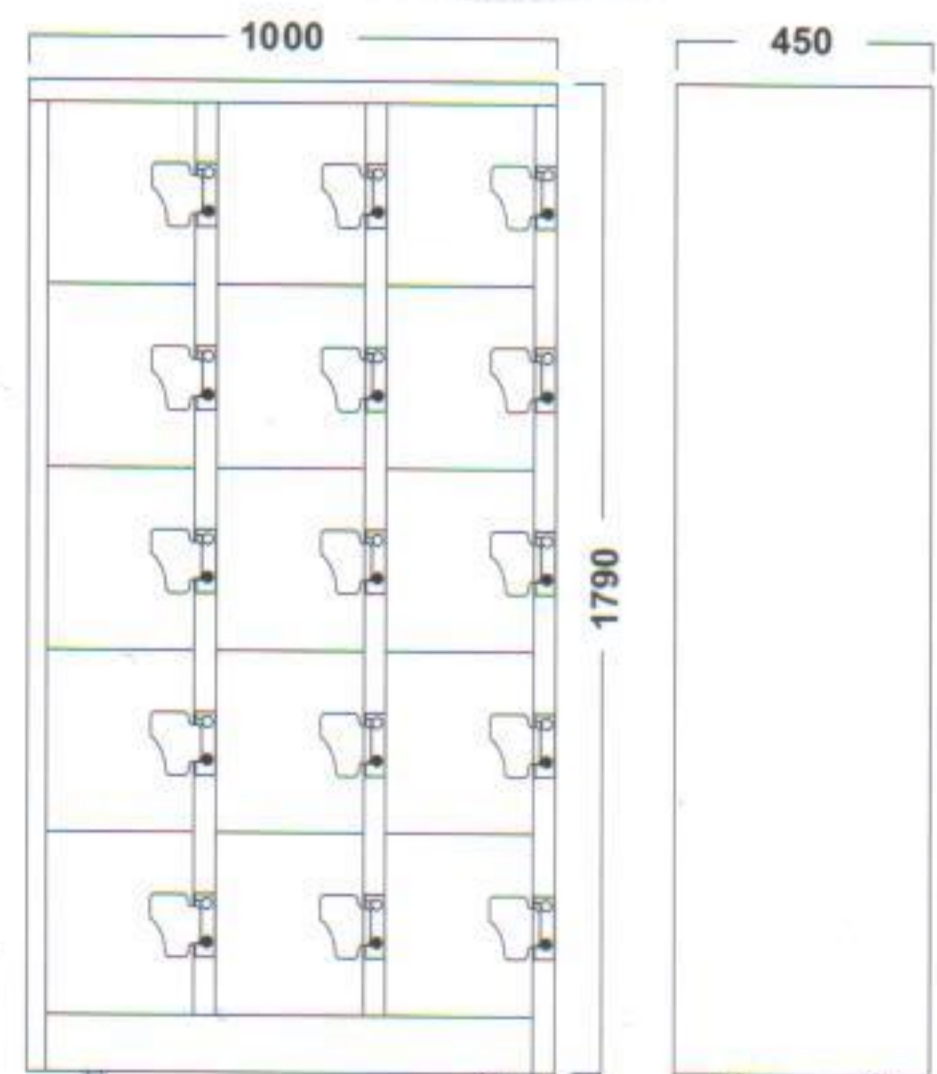
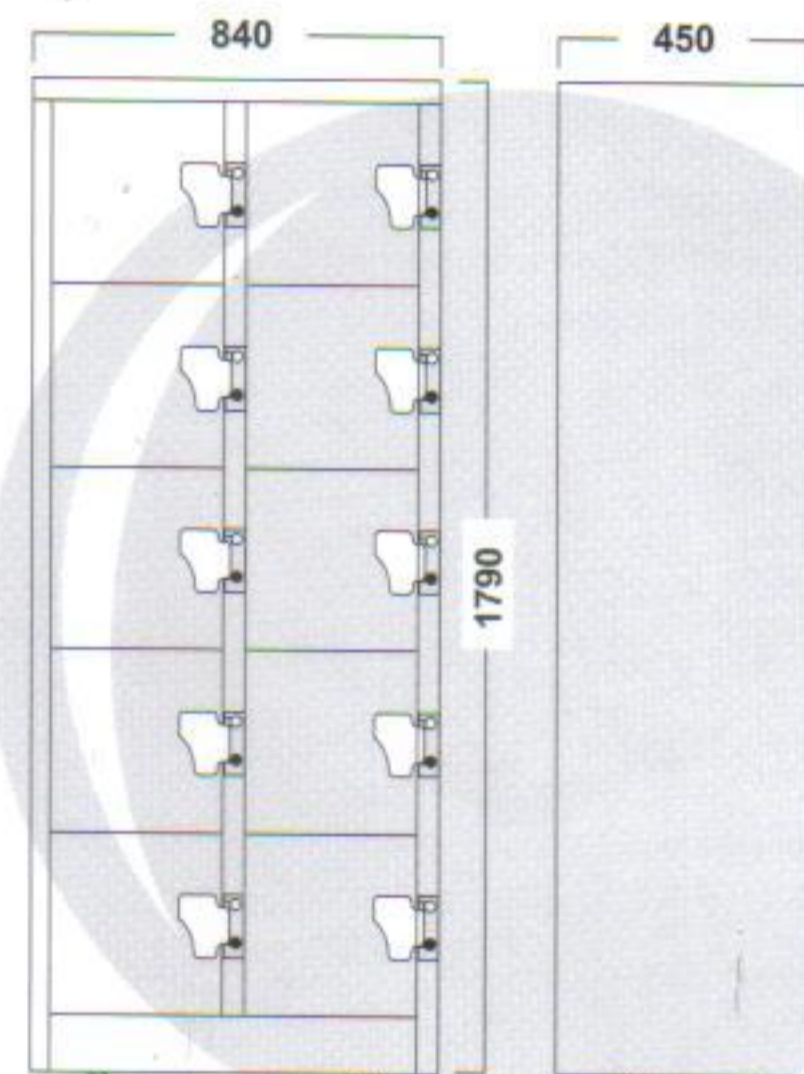
DR-FL10

DR-FL15

FEATURES

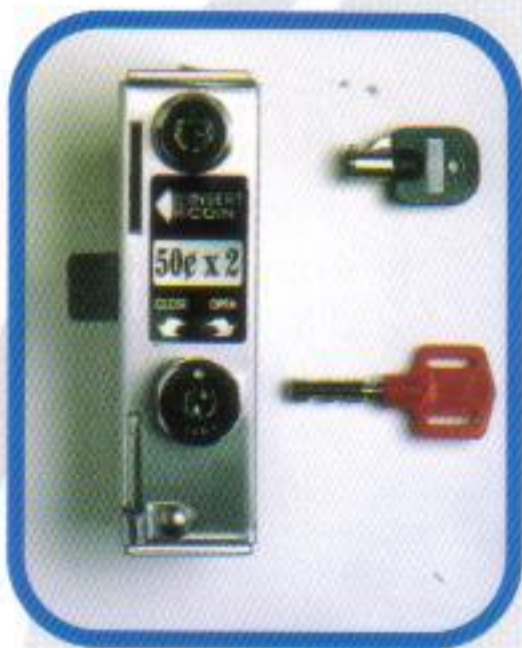
- Dual-function lock – Flexibility to accept 1-3 coins/tokens or, as a coin return lock
- Stainless steel coin lock
 - Suitable for any environment
- Master key control system
 - Emergency access
 - Maintenance purposes
- Other customised sizes available
- Suitable for theme parks, hypermarkets, shopping malls, swimming pools, schools, other public access areas and etc

SPECIFICATON

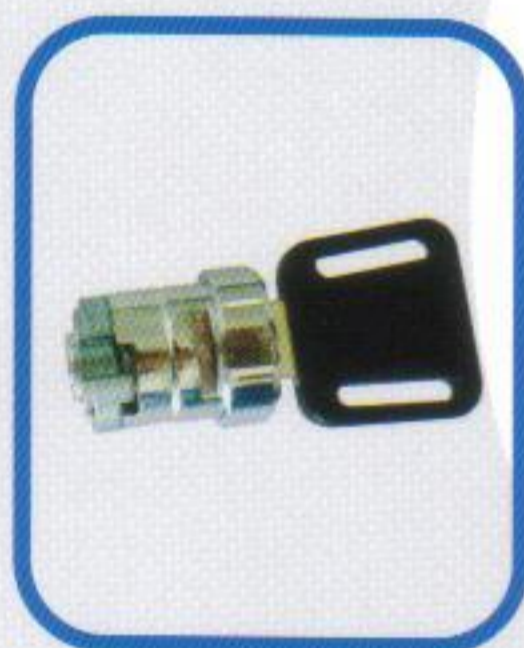


UNIT : MM

METAL COIN LOCKER ACCESSORIES



Coin Lock



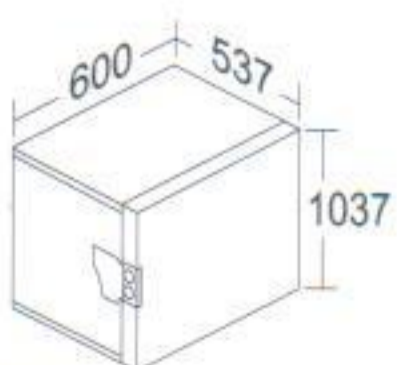
DR-N Cylinder



Key Strap (optional)

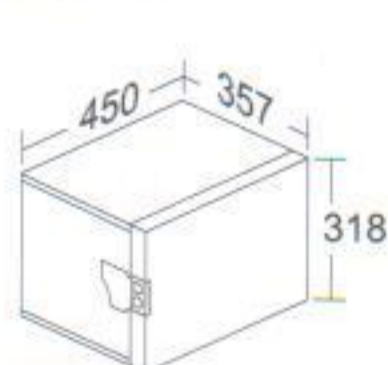
DR-FL4

Overall Size
H2273 x W1200 x D600
Compartment Size
H1037 x W537 x D600



DR-FL10

Overall Size
H1790 x W840 x D450
Compartment Size
H318 x W357 x D450



DR-FL15

Overall Size
H1790 x W1000 x D450
Compartment Size
H318 x W271 x D450

